

DISTRIBUTION

BOX

Enclosure for industrial &
Electrical Appliances



BARFUSES
BATTLE FOR SAFETY

YUEQING BARFUSE ELECTRIC CO.,LTD

Address:Yonghe san road, no.15, Chengdong industry zone, Yueqing,
Zhejiang, China

Tel: 0086 577 61666659 Mobile:+86 13968736669

Email: sales@barfuses.com

www.barfuse.com



A

Metal Enclosure With Metal Cover

- 001 BDB -A Series 1 Phase Distribution Box (IP40)
 - 003 BDB -A Series 3 Phase Distribution Box (IP40)
 - 005 BDB -A Series 1 Phase Distribution Box (New Type) IP40
 - 007 BDB -A Series 3 Phase Distribution Box (New Type) IP40
 - 009 BDB -S Series 1 Phase Distribution Box (IP40)
 - 011 BDB -S Series 3 Phase Distribution Box (IP40)
 - 013 BDB -B Series 3 Phase Distribution Box (IP40)
 - 015 BDB -V Series 1 Phase Distribution Box (IP40)
 - 017 BDB -V Series 3 Phase Distribution Box (IP40)
 - 019 BDB -N Series 1 Phase Distribution Box (IP40)
 - 021 BDB -N Series 3 Phase Distribution Box (IP40)
 - 023 BDB -N Series Distribution Box (Chassis Enclosure Type) IP40
 - 025 BDB -H Series 1 Phase Distribution Box (New Type) IP40
 - 027 BDB -H Series 3 Phase Distribution Box (New Type) IP40
 - 029 BDB -H Series 1 Phase Distribution Box (Old Type) IP40
 - 031 BDB -H Series 3 Phase Distribution Box (Old Type) IP40
 - 033 BDB -M Series 1 Phase Distribution Box (IP40)
 - 035 BDB -M Series 3 Phase Distribution Box (IP40)
 - 037 BDB -T Series 3 Phase Distribution Box (IP40)
 - 039 BDB -E Series 1 Phase Distribution Box (IP40)
 - 041 BDB -E Series 3 Phase Distribution Box (IP40)
 - 043 BDB -C Series 1 Phase Distribution Box (IP40)
 - 045 BDB -G Series Distribution Box (IP40)
 - 046 BDB -AB Series Distribution Box (IP40)
 - 047 BDB -D Series Distribution Box (IP40)
-

B

Metal Enclosure With Plastic Cover

- 048 BDB -I Series Distribution Box (IP40)
 - 049 BDB -J Series Distribution Box (IP40)
 - 050 BDB -K Series Distribution Box (IP40)
 - 051 BDB -L Series Distribution Box (IP40)
 - 052 BDB -P Series Distribution Box (IP40)
 - 053 BDB -Q Series Distribution Box (IP40)
 - 054 BDB -NTSM Series Distribution Box (IP40)
 - 055 BDB -VC Series Distribution Box (IP40)
 - 056 BDB -TL Series Distribution Box (IP40)
 - 057 BDB -TY Series Distribution Box (IP40)
 - 058 BDB -PZ40 Series Meter Box (IP40)
 - 059 BDB -R Series Multi-Media Information Box (IP40)
-



BARFUSES
BATTLE FOR SAFETY



Pay attention to quality and details

We always insist our business ideas of " Quality is our life" and implement this ideas during all our development.

So that we win not only the trust from our customers but also more confidence of our future.

C

Plastic Enclosure With Plastic Cover

060	BDB-HPK Series Distribution Box (IP40)
061	BDB-F Series Distribution Box (IP40)
062	BDB-TSM Series Distribution Box (IP40)
063	BDB-LGD Series Distribution Box (IP40)
064	BDB-HA Series Waterproof Distribution Box (IP65)
065	BDB-HK Series Water Proof Distribution Box (IP55)
066	BDB-HT Series Water Proof Distribution Box (IP65)
067	BDB-HAG II Series Distribution Box
068	BDB-HAG III Series Distribution Box
069	BDB-GY Series Distribution Box
070	WP Series Waterproof Isolating Switches (IP56)
071	56CB-4N Series Switch Box (IP66)
072	56CB1-4N Series Switch Box (IP66)
073	Socket Box
074	Waterproof Junction Box (IP65)
075	Junction Box (With Rubber Plug)-IP55
076	Junction Box (Without Rubber Plug)-IP55

D

Industry Enclosure

077	BDB-K1 Series 1 Phase Switch Box
079	BGS-M Series Gear Switch (IP40)
081	BCS-H Series Changeover Switch (New Type) IP40
083	BCS-H Series Changeover Switch (Old Type) IP40
085	BCS-E Series Changeover Switch (IP65)
087	BDB-JXF Series Waterproof Distribution Box (IP65)
089	Wall Mounting Series Distribution Box (IP65)
091	BDB-DN / DW / DL Series Power Distribntion Box (IP40-IP65)
093	Floor Standing Cabinet Series (Chassis Enclosure Type)

E

Stainlass Steel Enclosure

095	BDB-PZ30 Series Stainless Steel Distribution Box
096	Stainless Steel Control Box
097	Stainless Steel Outdoor Power Box
098	Stainless Steel Single Phase Electric Meter Box
099	Stainless Steel Three-phase Electric Meter Box (with switch)
100	Stainless Steel Three-phase Electric Meter Box (Outdoor)
101	Stainless Steel Outdoor Integrated Distribution Box
102	Stainless Steel Outdoor Integrated Distribution Box



BARFUSES
BATTLE FOR SAFETY



RoHS ISO9001



BDB-A Series 1 Phase Distribution Box

Application:

BDB-A series 1 phase distribution box is designed for safe, reliable distribution and control of electrical power as service entrance equipment in residential, commercial and light industrial installations.

Material

1. Steel sheet with pc glass, and copper fittings inside;
2. Paint finish: Both externally and internally;
3. Protected with epoxy polyester coating;
4. Textured finish RAL7032 or RAL7035.

Lifetime:

More than 20 years;
Our products are accord with IEC 60947-3 standard.

BDB-A Series 1 Phase Distribution Box (IP40)

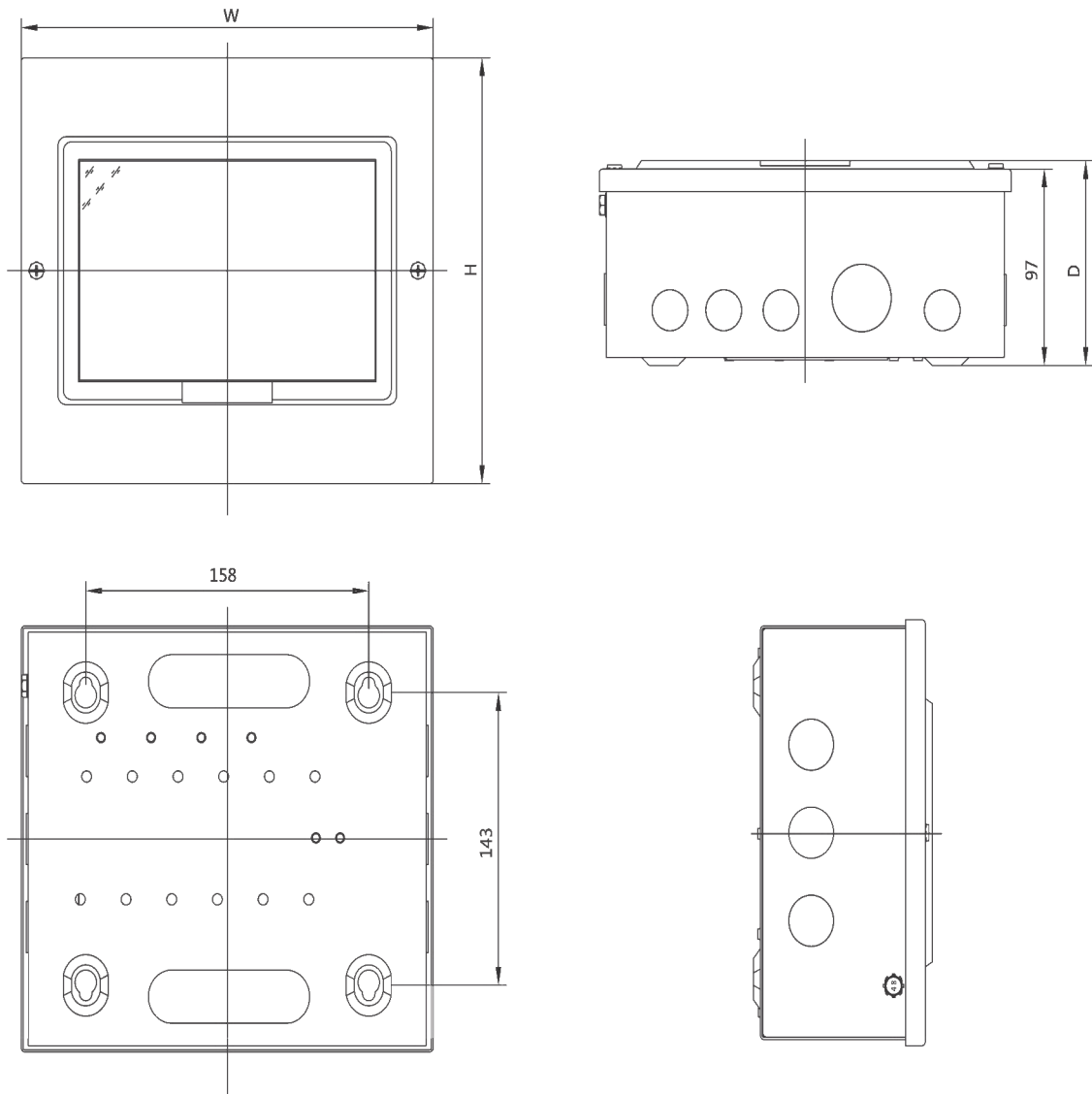
A

Specifications

Surface type model	Flush type model	No.of ways
BDB-A-SPN-4-S	BDB-A-SPN-4-F	4 ways
BDB-A-SPN-6-S	BDB-A-SPN-6-F	6 ways
BDB-A-SPN-8-S	BDB-A-SPN-8-F	8 ways
BDB-A-SPN-12-S	BDB-A-SPN-12-F	12 ways

Single phase, Standard Consumer Unit-100Amp main DP Switch/DP RCD

Overall and installation dimensions

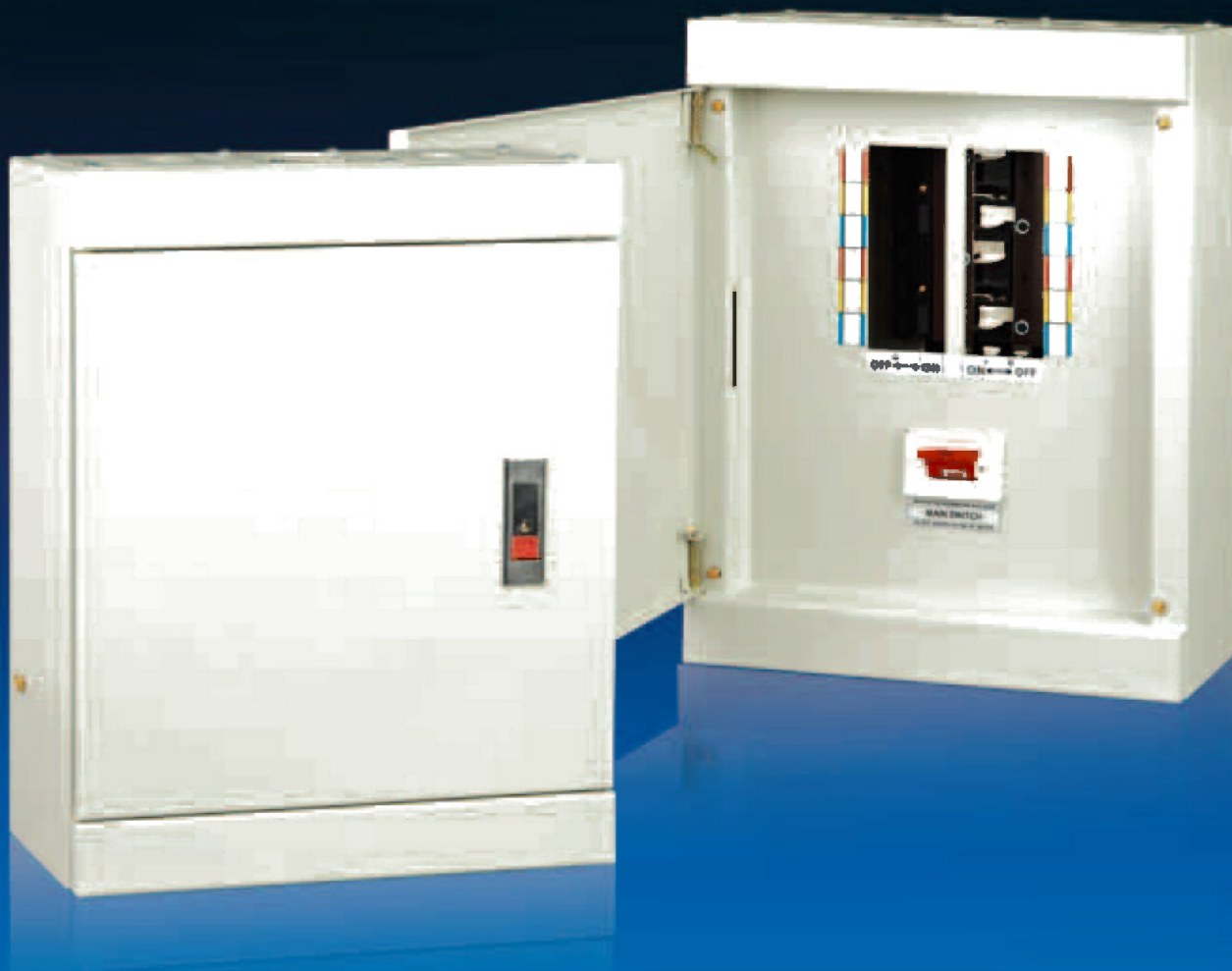




BARFUSES
BATTLE FOR SAFETY



RoHS ISO9001



BDB-A Series 3 Phase Distribution Box

Application:

BDB-A series 3 phase distribution box is Newest-style, Safe and reliable electric service entrance distribution and control equipment for residential, commercial and light industrial equipment.

MCB is plug-in design. The product is used for both indoor and outdoor.

Material

1. Steel sheet and copper fittings inside;
2. Paint finish: Both externally and internally;
3. Protected with epoxy polyester coating;
4. Textured finish RAL7032 or RAL7035.

Lifetime:

More than 20 years;

Our products are accord with IEC 60947-3 standard.

BDB-A Series 3 Phase Distribution Box (IP40)

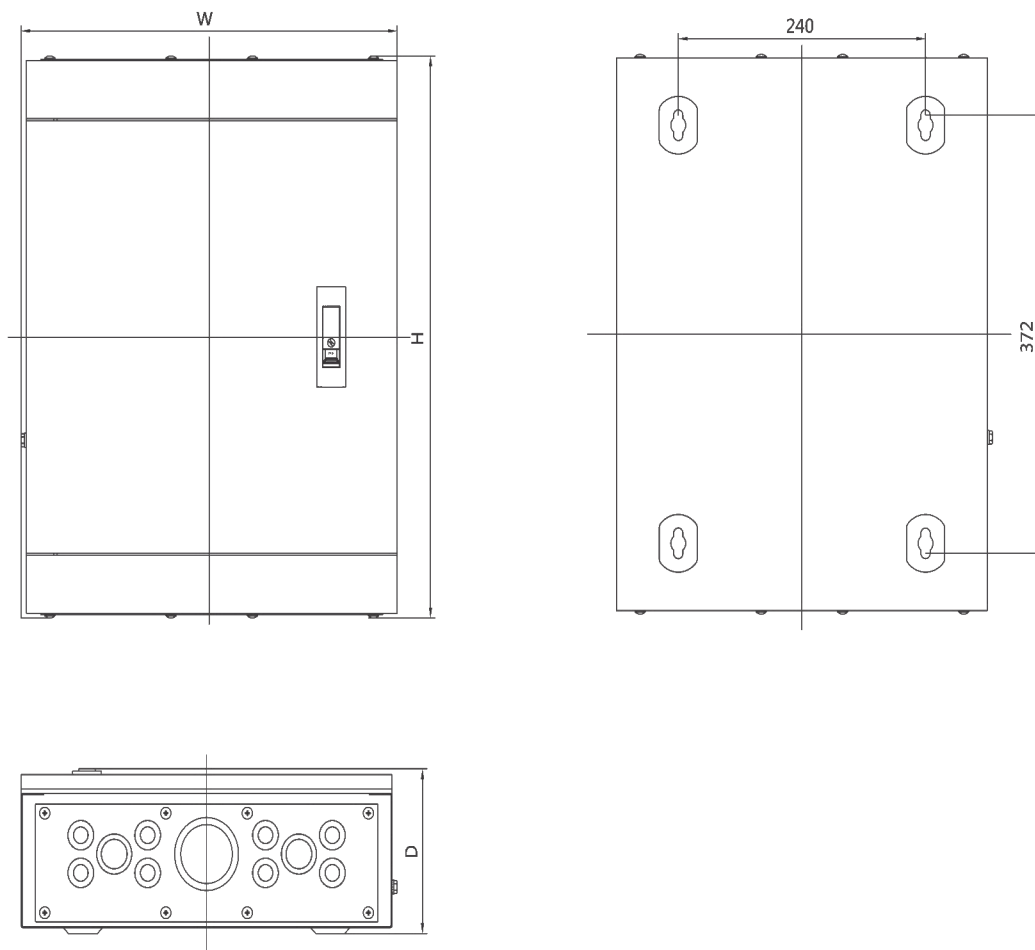
A

Specifications

Surface type model	No.of ways	Dimensions(mm)		
		W	H	D
BDB-A-TPN-4-S	4 ways	365	470	135
BDB-A-TPN-6-S	6 ways	365	545	135
BDB-A-TPN-8-S	8 ways	365	620	135
BDB-A-TPN-12-S	12 ways	365	770	135

Three phase, Standard Consumer Unit-100Amp main DP Switch/DP RCD

Overall and installation dimensions





BARFUSES
BATTLE FOR SAFETY



RoHS ISO9001



BDB-A Series 1 Phase Distribution Box (New Type)

Application:

BDB-A series 1 phase distribution box is designed for used in family, house, station and so on place. it is easy to install, the appearance is attractive and the function is highly reliable. the enclosure material is steel sheet and the cover is transparent plastic. The product attached with neutral and earth terminals and din rail.

Technical data:

Standara: IEC 439-1 & BS 60439-1
Max.load: 100Amps
Max.voltage: 230Vac, 50Hz
Range: 7, 10, 16 and 20 modules

Degree of protection: IP40
Enclosure material: Cold rolled steel sheet
Enclosure finishing: Gray, RAL7035

BDB-A Series 1 Phase Distribution Box(New Type) IP40



Specifications

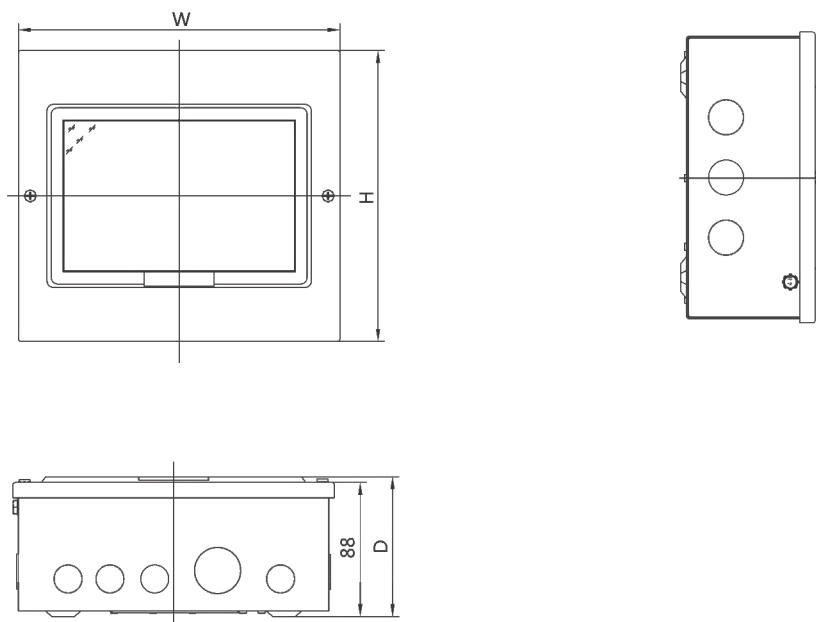
For Surface Mounting

Model	No.of ways	Dimensions(mm)		
		W	H	D
BDB -A-SPN-4-S	4 ways	230	208	92
BDB -A-SPN-6-S	6 ways	280	208	92
BDB -A-SPN-8-S	8 ways	330	208	92
BDB -A-SPN-12-S	12 ways	430	208	92

For Flush Mounting

Model	No.of ways	Dimensions(mm)		
		W	H	D
BDB -A-SPN-4-F	4 ways	242	220	92
BDB -A-SPN-6-F	6 ways	292	220	92
BDB -A-SPN-8-F	8 ways	342	220	92
BDB -A-SPN-12-F	12 ways	442	220	92

Overall and installation dimensions





BARFUSES
BATTLE FOR SAFETY



RoHS ISO9001



BDB-A Series 3 Phase Distribution Box(New Type)

Product Description

The BDB-A distribution boards are available with a fixed load or split load pan assembly. They have a fully flush fitted metal door with a "slam" type catch. All boards are delivered with both Neutral and Earth bars fitted and the neutral is designed to wrap around the incoming device to ensure that extra wiring space is available for the outgoing devices.

The incoming device must be selected and fitted by the installer. The top and bottom gland plates are removable and also include knock-outs to suit standard size conduits. The pan assembly is fully shrouded and the busbars are one piece in design, this ensures that no "hot spots" can occur as there are no mechanical joints. The boards conform to BSEN 60439-1 & 3.

BDB-A Series 3 Phase Distribution Box(New Type) IP40



Specifications

For Surface Mounting

Model	No.of ways	Dimensions(mm)		
		W	H	D
BDB -A-TPN-4-S	4 ways	380	450	120
BDB -A-TPN-6-S	6 ways	380	504	120
BDB -A-TPN-8-S	8 ways	380	558	120
BDB -A-TPN-12-S	12 ways	380	666	120

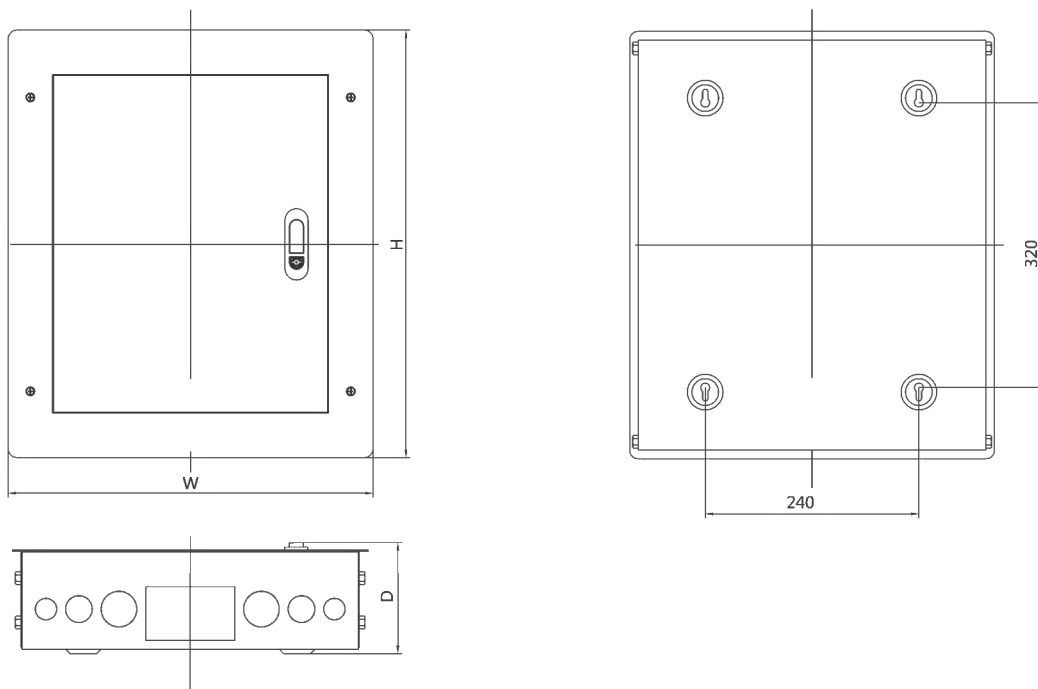
Pls list main switch as Isolator or MCCB clearly when send order.

For Flush Mounting

Model	No.of ways	Dimensions(mm)		
		W	H	D
BDB -A-TPN-4-F	4 ways	410	480	120
BDB -A-TPN-6-F	6 ways	410	534	120
BDB -A-TPN-8-F	8 ways	410	588	120
BDB -A-TPN-12-F	12 ways	410	696	120

Pls list main switch as Isolator or MCCB clearly when send order.

Overall and installation dimensions





BARFUSES
BATTLE FOR SAFETY



RoHS ISO9001



BDB-S Series 1 Phase Distribution Box

Application:

BDB-S series 1 phase distribution box is designed for safe, reliable distribution and control of electrical power as service entrance equipment in residential, commercial and light industrial installations.

Material

1. Steel sheet with pc glass, and copper fittings inside;
2. Paint finish: Both externally and internally;
3. Protected with epoxy polyester coating;
4. Textured finish RAL7032 or RAL7035.

Lifetime:

More than 20 years;
Our products are accord with IEC 60947-3 standard.

BDB-S Series 1 Phase Distribution Box(IP40)

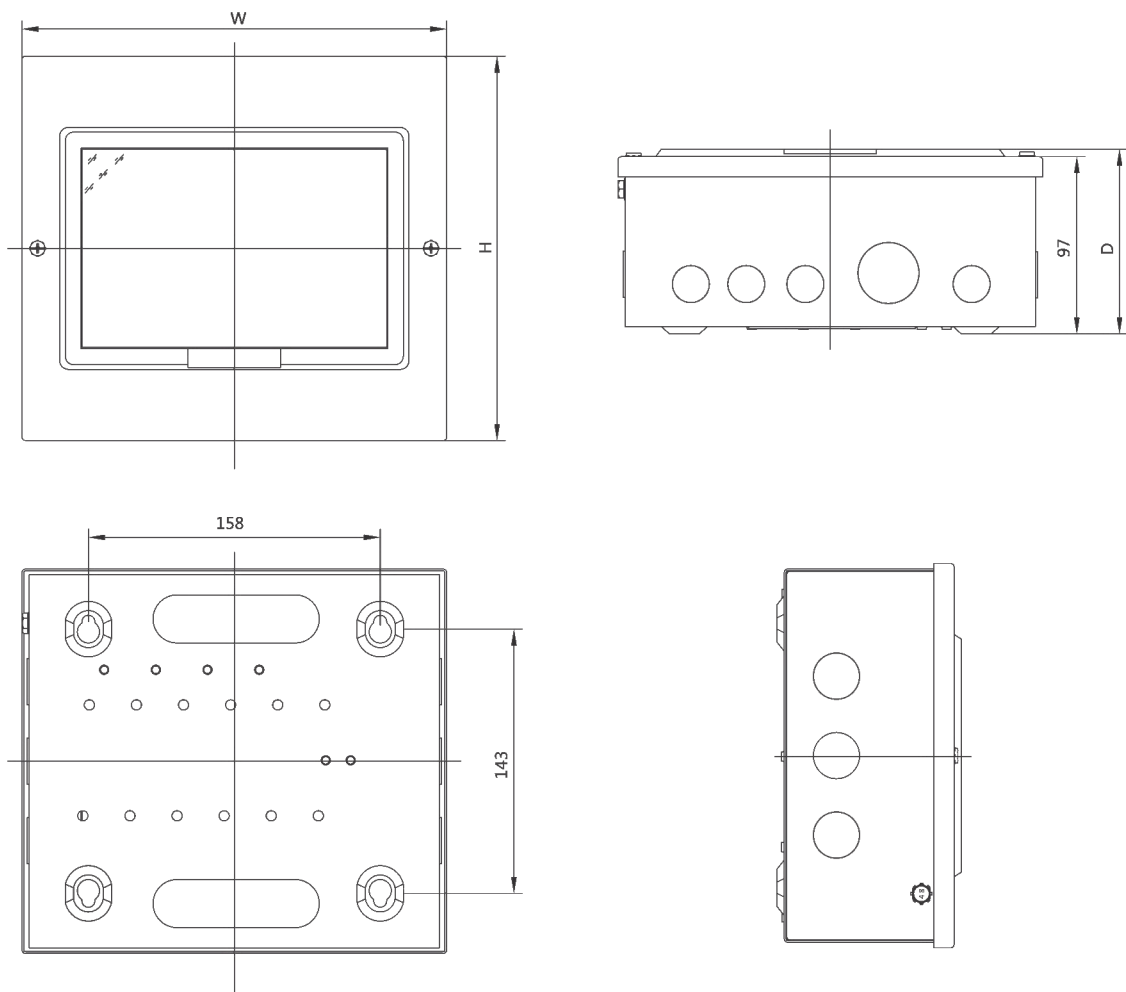
A

Specifications

Surface type model	Flush type model	No.of ways
BDB -S-SPN-4-S	BDB -S-SPN-4-F	4 ways
BDB -S-SPN-6-S	BDB -S-SPN-6-F	6 ways
BDB -S-SPN-8-S	BDB -S-SPN-8-F	8 ways
BDB -S-SPN-12-S	BDB -S-SPN-12-F	12 ways

Single phase,Standard Consumer Unit-100Amp main DP Switch/DP RCD

Overall and installation dimensions





BARFUSES
BATTLE FOR SAFETY



RoHS ISO9001



BDB-S Series 3 Phase Distribution Box

Application:

BDB-S series 3 phase distribution box is available in plug in , din rail designs for indoor and outdoor applications and also available with main switch MCB, Isolator MCCB or MCB.

Material

1. Steel sheet and copper fittings inside;
2. Paint finish: Both externally and internally;
3. Protected with epoxy polyester coating;
4. Textured finish RAL7032 or RAL7035.

Lifetime:

More than 20 years;
Our products are accord with IEC 60947-3 standard.

BDB-S Series 3 Phase Distribution Box (IP40)

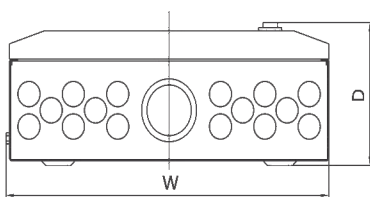
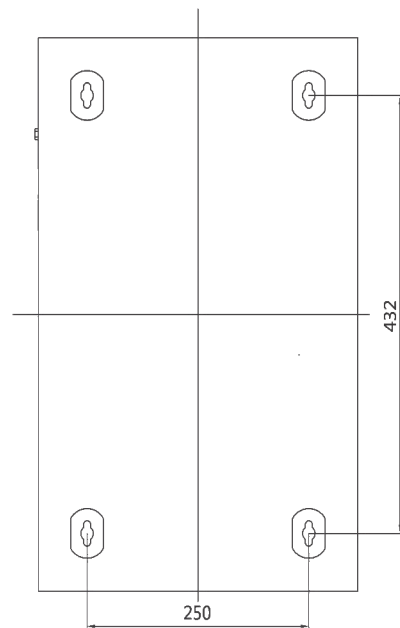
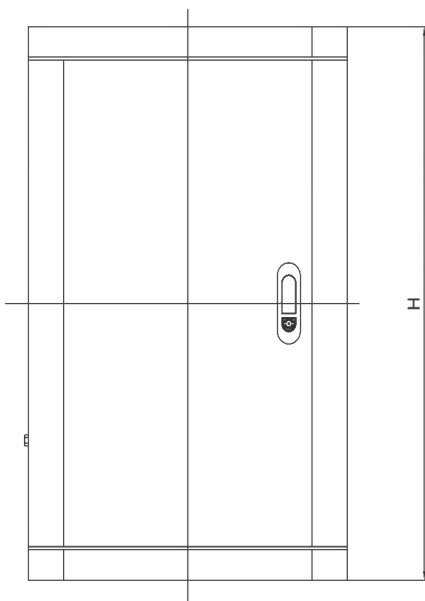
A

Specifications

Surface type model	No.of ways	Dimensions(mm)		
		W	H	D
BDB-S-TPN-4-S	4 ways	365	470	135
BDB-S-TPN-6-S	6 ways	365	545	135
BDB-S-TPN-8-S	8 ways	365	620	135
BDB-S-TPN-12-S	12 ways	365	770	135

Three phase, Standard Consumer Unit-100Amp main DP Switch/DP RCD

Overall and installation dimensions





BARFUSES
BATTLE FOR SAFETY



RoHS ISO9001



BDB-B Series 3 Phase Distribution Box

Application:

BDB-B series 3 phase distribution box is widely used in the family, high building, house, station, port, airport, commercial house, hospital, cinema, enterprises and so on occasions.

Material

1. Steel sheet and copper fittings inside;
2. Paint finish: Both externally and internally;
3. Protected with epoxy polyester coating;
4. Textured finish RAL7032 or RAL7035.

Lifetime:

More than 20 years;
Our products are accord with IEC 60947-3 standard.

BDB-B Series 3 Phase Distribution Box (IP40)

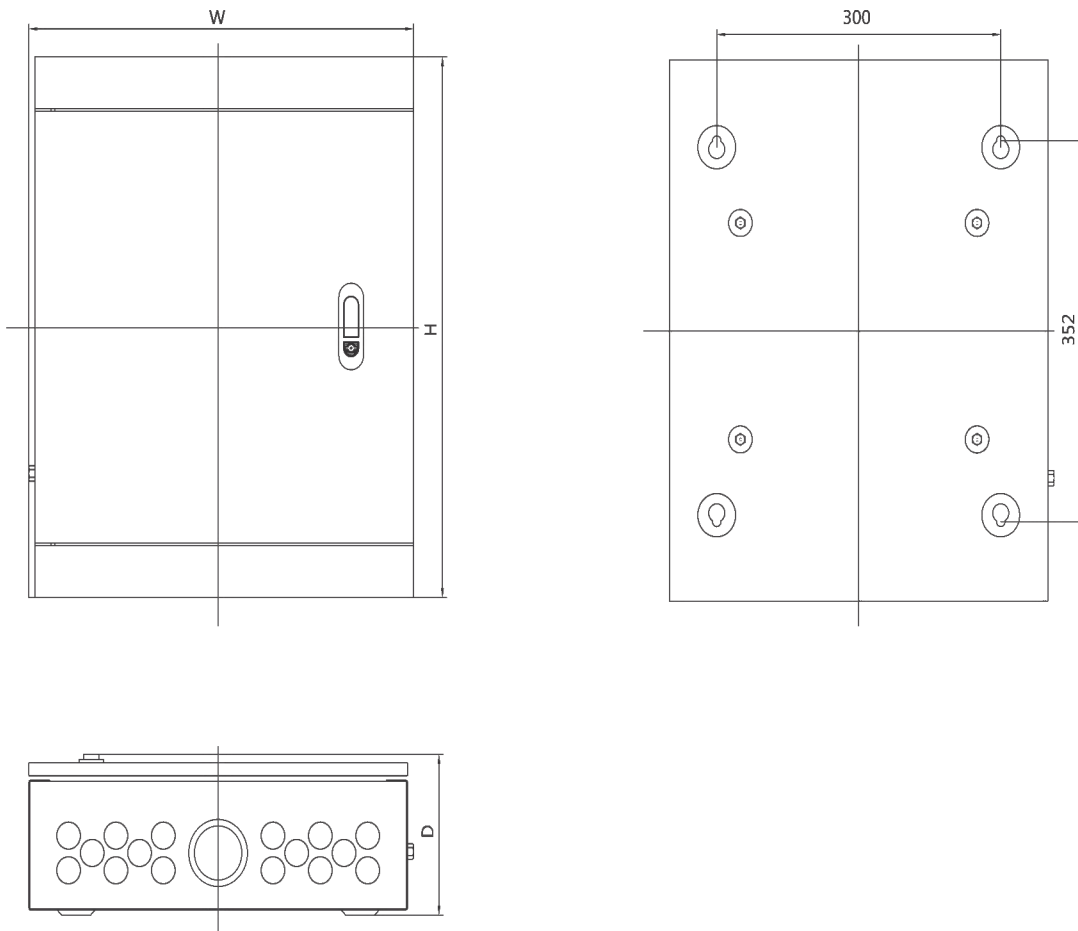
A

Specifications

Surface type model	No.of ways	Dimensions(mm)		
		W	H	D
BDB-B-TPN-4-S	4 ways	400	500	140
BDB-B-TPN-6-S	6 ways	400	554	140
BDB-B-TPN-8-S	8 ways	400	608	140
BDB-B-TPN-12-S	12 ways	400	716	140

Three phase, Standard Consumer Unit-100Amp main DP Switch/DP RCD

Overall and installation dimensions





BARFUSES
BATTLE FOR SAFETY



RoHS ISO9001



BDB-V Series 1 Phase Distribution Box

Application:

BDB-V series 1 phase distribution box is designed for safe, reliable distribution and control of electrical power as service entrance equipment in residential, commercial and light industrial installations.

Material

1. Steel sheet with pc glass, and copper fittings inside;
2. Paint finish: Both externally and internally;
3. Protected with epoxy polyester coating;
4. Textured finish RAL7032 or RAL7035.

Lifetime:

More than 20 years;
Our products are accord with IEC 60947-3 standard.

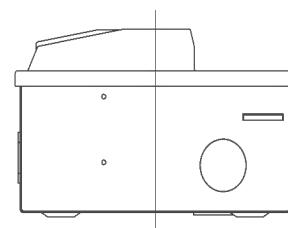
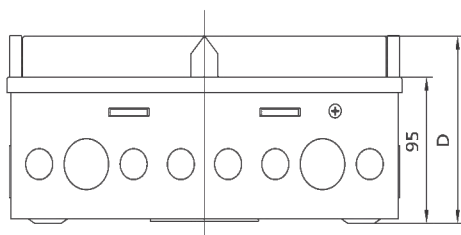
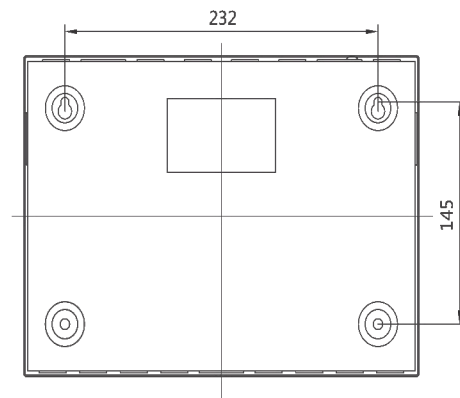
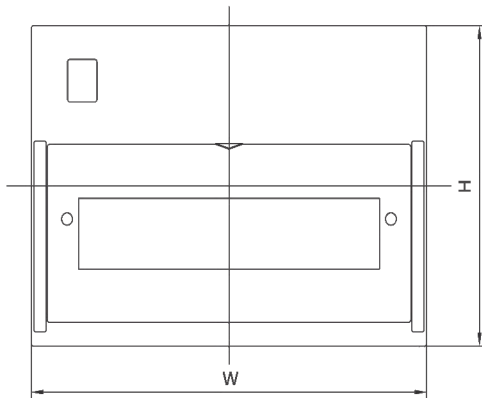
BDB-V Series 1 Phase Distribution Box (IP40)

A

Specifications

Model	No.of ways	Rating
Supplied with Main Switch and Busbar.		
BDB-V5	5 ways	100A
BDB-V8	8 ways	100A
BDB-V11	11 ways	100A
BDB-V14	14 ways	100A
Supplied with RCCB and Busbar.		
BDB-V5R	5 ways	80A 30mA
BDB-V8R	8 ways	80A 30mA
BDB-V11R	11 ways	80A 30mA
BDB-V14R	14 ways	80A 30mA

Overall and installation dimensions





BARFUSES
BATTLE FOR SAFETY



RoHS ISO9001



BDB-V Series 3 Phase Distribution Box

Product Description

The BDB-V distribution boards are available with a fixed load or split load pan assembly. They have a fully flush fitted metal door with a "slam" type catch. All boards are delivered with both Neutral and Earth bars fitted and the neutral is designed to wrap around the incoming device to ensure that extra wiring space is available for the outgoing devices.

The incoming device must be selected and fitted by the installer. The top and bottom gland plates are removable and also include knock-outs to suit standard size conduits. The pan assembly is fully shrouded and the busbars are one piece in design, this ensures that no "hot spots" can occur as there are no mechanical joints. The boards conform to BSEN 60439-1 & 3.

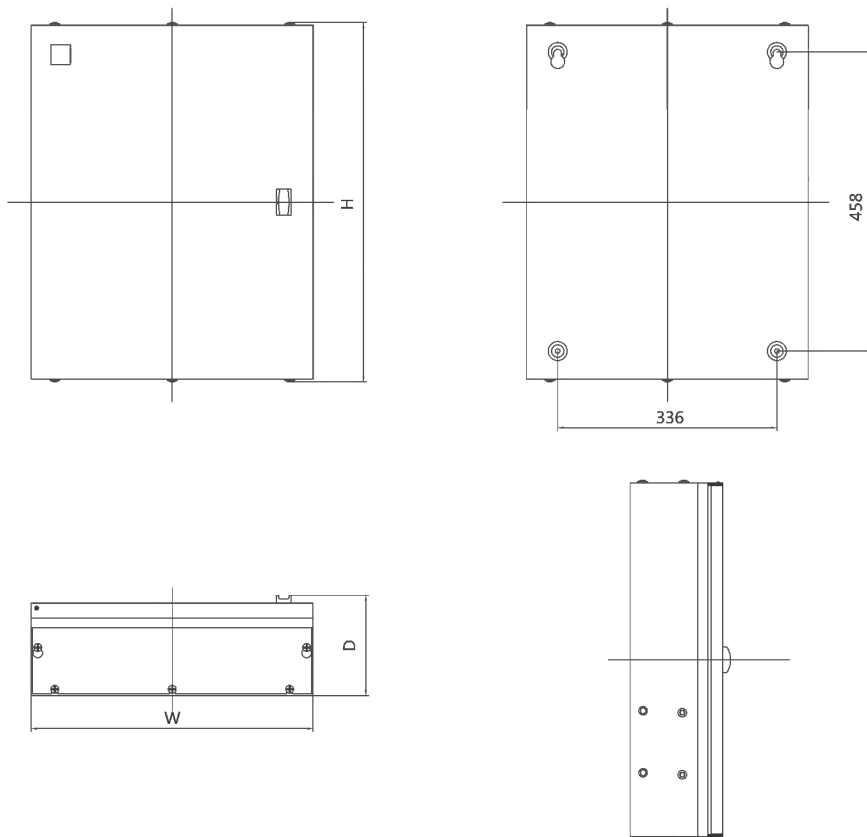
BDB-V Series 3 Phase Distribution Box (IP40)



Specifications

Surface type model	No.of ways	Dimensions(mm)		
		W	H	D
BDB -V04TN3-S	4 ways	430	550	155
BDB -V06TN3-S	6 ways	430	604	155
BDB -V08TN3-S	8 ways	430	658	155
BDB -V12TN3-S	12 ways	430	766	155

Overall and installation dimensions





BARFUSES
BATTLE FOR SAFETY



RoHS ISO9001



BDB-N Series 1 Phase Distribution Box

Application:

BDB-N series 1 phase distribution box which provided with new construction and reliable capacity is applied to indoor electrical system to protect distribution switches with the capacity of delay and protecting the circuit from overload. The box is composed of Zero line and N line terminal and can be divided into flush install and surface install.

Material

1. Steel sheet and copper fittings inside;
2. Paint finish: Both externally and internally;
3. Protected with epoxy polyester coating;
4. Textured finish RAL7032 or RAL7035.

Lifetime:

More than 20 years;
Our products are accord with IEC 60947-3 standard.

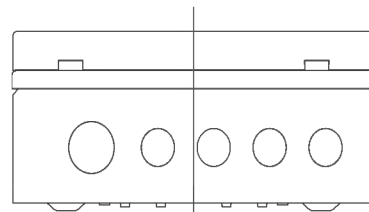
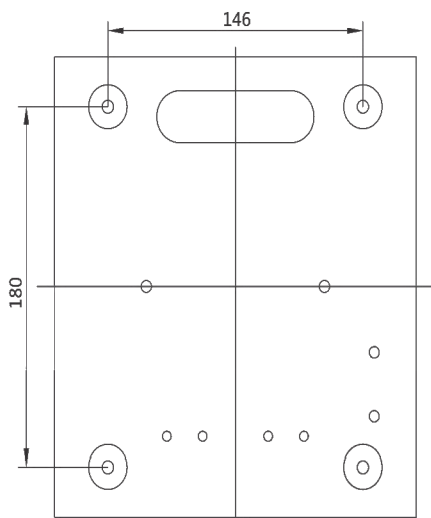
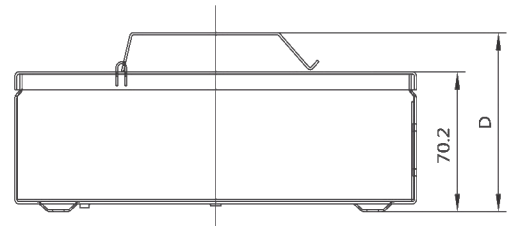
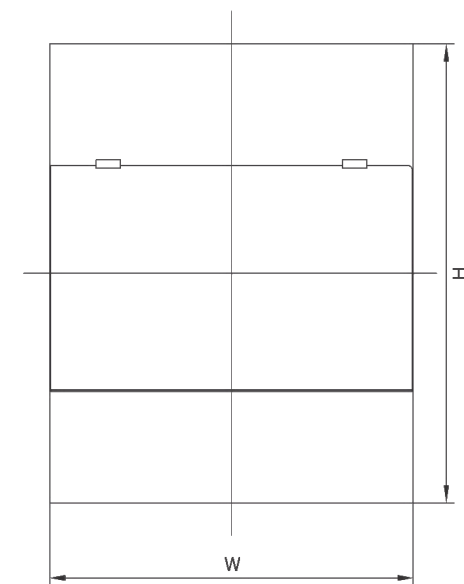
BDB-N Series 1 Phase Distribution Box (IP40)



Specifications

Model	No.of ways	Size of surface type (mm)			Size of flush type (mm)		
		W	H	D	W	H	D
BDB-N	6 ways	208	230	90	221	243	90
BDB-N	8 ways	244	230	90	257	243	90
BDB-N	10 ways	280	230	90	293	243	90
BDB-N	12 ways	316	230	90	329	243	90
BDB-N	14 ways	352	230	90	365	243	90
BDB-N	16 ways	388	230	90	401	243	90
BDB-N	18 ways	424	230	90	437	243	90
BDB-N	20 ways	460	230	90	473	243	90
BDB-N	22 ways	496	230	90	509	243	90

Overall and installation dimensions





BARFUSES
BATTLE FOR SAFETY



RoHS ISO9001



BDB-N Series 3 Phase Distribution Box

Application:

BDB-N series 3 phase distribution box is an assembly of electro-conductive parts, which include the miniature circuit breakers (MCB) of various rating, isolator switch, neutral & earth bars, all enclosed in a steel metal case.

Material

1. Steel sheet and copper fittings inside;
2. Paint finish: Both externally and internally;
3. Protected with epoxy polyester coating;
4. Textured finish RAL7032 or RAL7035.

Lifetime:

More than 20 years;
Our products are accord with IEC 60947-3 standard.

BDB-N Series 3 Phase Distribution Box(IP40)

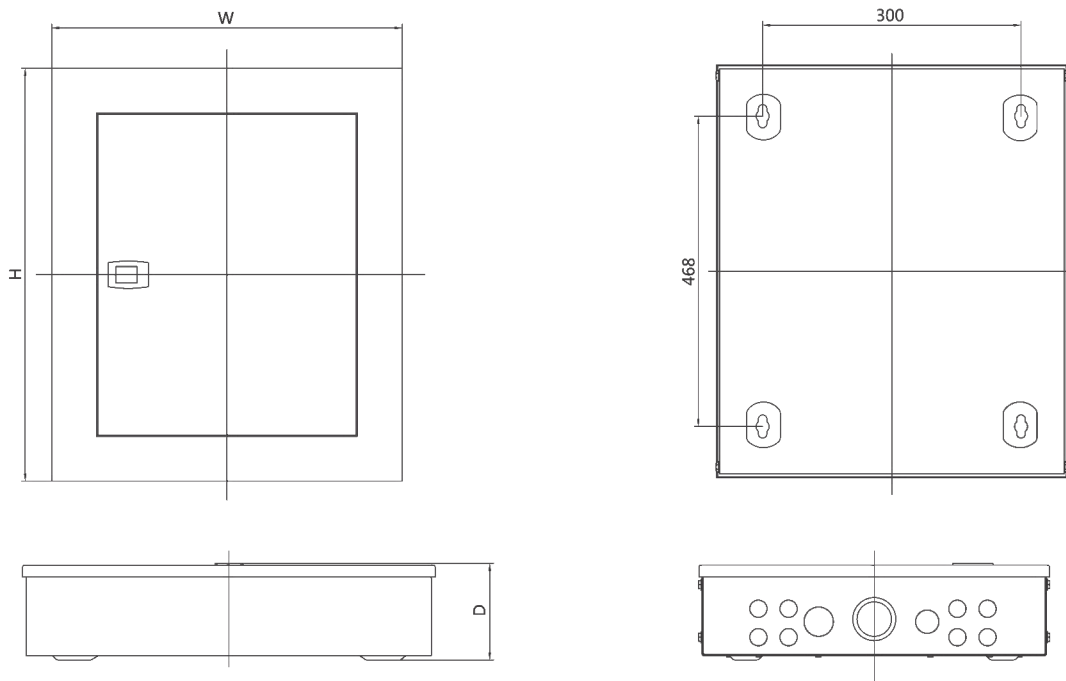


Specifications

Surface type model	Flush type model	No.of ways
BDB -N-TPN-4-S	BDB -N-TPN-4-F	4 ways
BDB -N-TPN-6-S	BDB -N-TPN-6-F	6 ways
BDB -N-TPN-8-S	BDB -N-TPN-8-F	8 ways
BDB -N-TPN-12-S	BDB -N-TPN-12-F	12 ways
BDB -N-TPN-16-S	BDB -N-TPN-16-F	16 ways
BDB -N-TPN-20-S	BDB -N-TPN-20-F	20 ways

Pls list main switch as Isolator or MCCB clearly when send order.

Overall and installation dimensions





BARFUSES
BATTLE FOR SAFETY



RoHS ISO9001



BDB-N Series Distribution Box (Chassis Enclosure Type)

Application:

BDB-N series distribution box (chassis enclosure type) which provided with new construction design is used for modular equipment with adjustable distance between the 35 mm. Symmetrical profile and cover plate from 40 to 85mm. Chassis made of galvanized steel. Blank cover plate and metal frame painted with RAL-7032 .Terminal blocks for earth and neutral wiring Circuit identification system supplied as standard.

Material

1. Steel sheet and copper fittings inside;
2. Paint finish: Both externally and internally;
3. Protected with epoxy polyester coating;
4. Textured finish RAL7032 or RAL7035.

Lifetime:

More than 20 years;
Our products are accord with IEC 60947-3 standard.

BDB-N Series Distribution Box (Chassis Enclosure Type) IP40

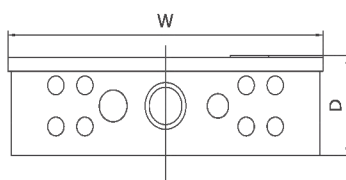
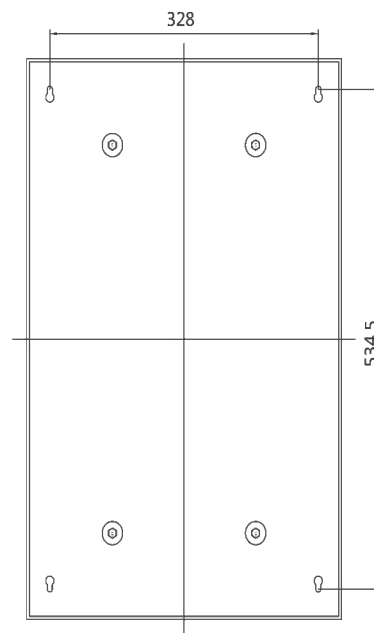
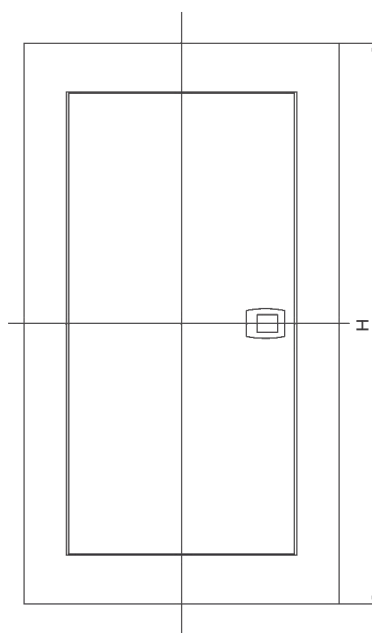
A

Specifications

Model	No.of rows	No.of ways	Dimensions(mm)		
			W	H	D
BDB-N	1	6	267	257	110
BDB-N	1	8	303	257	110
BDB-N	1	10	339	257	110
BDB-N	1	12	375	257	110
BDB-N	1	14	411	257	110
BDB-N	1	16	447	257	110
BDB-N	1	18	483	257	110
BDB-N	1	20	519	257	110
BDB-N	1	22	555	257	110

Model	No.of rows	No.of ways	Dimensions(mm)		
			W	H	D
BDB-N	2	24	440	450	115
BDB-N	2	26	458	450	115
BDB-N	2	28	476	450	115
BDB-N	2	30	494	450	115
BDB-N	3	36	440	600	115
BDB-N	3	45	494	600	115
BDB-N	3	54	548	600	115
BDB-N	3	60	584	600	115
BDB-N	3	72	656	600	115

Overall and installation dimensions



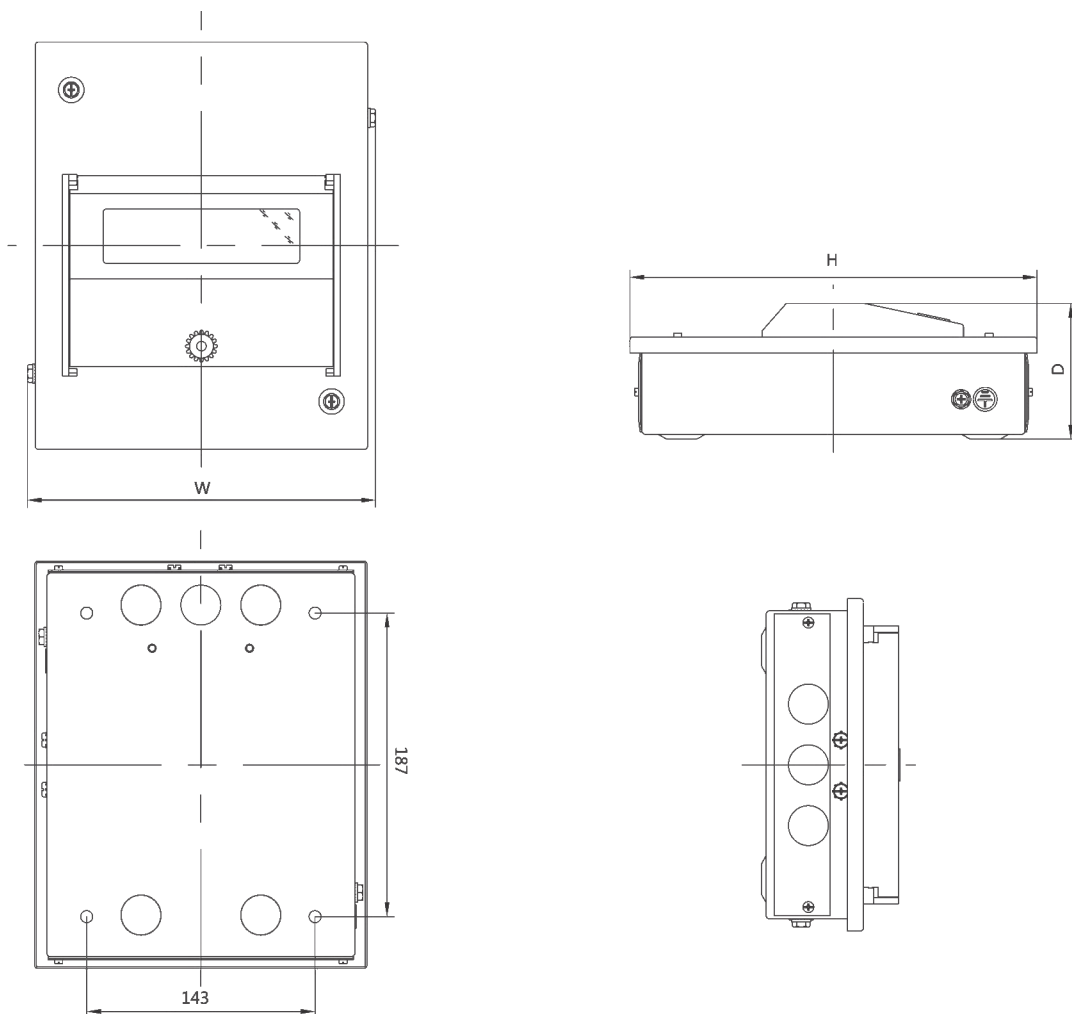
BDB-H Series 1 Phase Distribution Box (New Type) IP40



Specifications

Model	No.of ways	Dimensions(mm)		
		W	H	D
BDB-H-SPN-4	4 ways	205	252	90
BDB-H-SPN-6	6 ways	241	252	90
BDB-H-SPN-8	8 ways	277	252	90
BDB-H-SPN-12	12 ways	349	252	90

Overall and installation dimensions





BARFUSES
BATTLE FOR SAFETY



RoHS ISO9001



BDB-H Series 3 Phase Distribution Box(New Type)

Product Description

The BDB-H distribution boards are available with a fixed load or split load pan assembly. They have a fully flush fitted metal door with a "slam" type catch. All boards are delivered with both Neutral and Earth bars fitted and the neutral is designed to wrap around the incoming device to ensure that extra wiring space is available for the outgoing devices.

The incoming device must be selected and fitted by the installer. The top and bottom gland plates are removable and also include knock-outs to suit standard size conduits. The pan assembly is fully shrouded and the busbars are one piece in design, this ensures that no "hot spots" can occur as there are no mechanical joints. The boards conform to BSEN 60439-1 & 3.

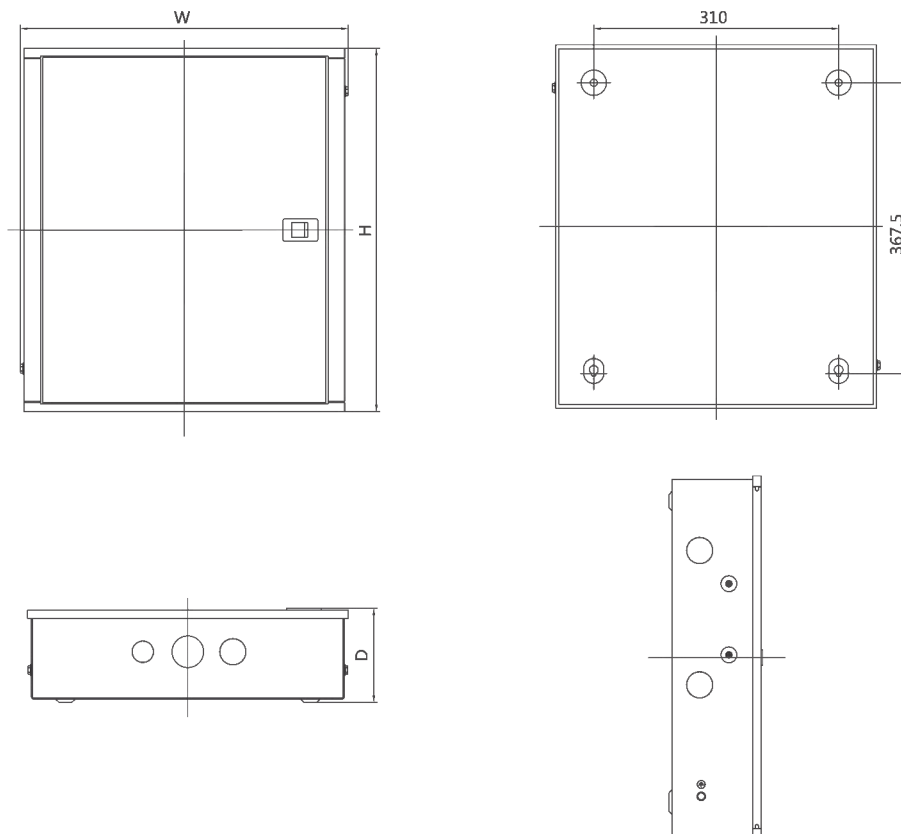
BDB-H Series 3 Phase Distribution Box(New Type) IP40



Specifications

Model	No.of ways	Dimensions(mm)		
		W	H	D
BDB-H-TPN-4	4 ways	405	451	118
BDB-H-TPN-6	6 ways	405	505	118
BDB-H-TPN-8	8 ways	405	559	118
BDB-H-TPN-12	12 ways	405	677	118

Overall and installation dimensions





BARFUSES
BATTLE FOR SAFETY



RoHS ISO9001



BDB-H Series 1 Phase Distribution Box (Old Type)

Application:

BDB-H series 1 phase distribution box is available in plug in , din rail designs for indoor and outdoor applications and also available with main switch MCB, Isolator MCCB or MCB.

Material

1. Steel sheet and copper fittings inside;
2. Paint finish: Both externally and internally;
3. Protected with epoxy polyester coating;
4. Textured finish RAL7032 or RAL7035.

Lifetime:

More than 20 years;
Our products are accord with IEC 60947-3 standard.

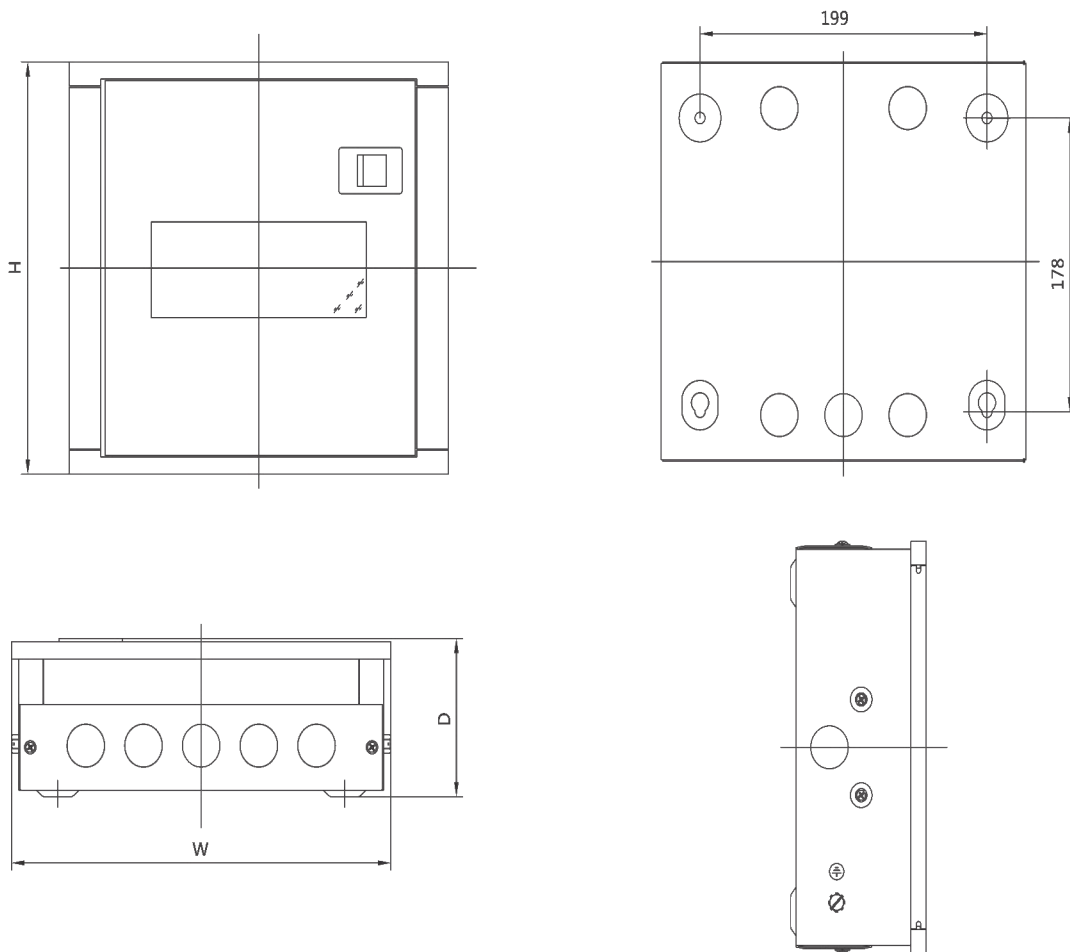
BDB-H Series 1 Phase Distribution Box (Old Type) IP40



Specifications

Model	No.of ways	Dimensions(mm)		
		W	H	D
BDB-H-SPN-4	4 ways	214	238	85
BDB-H-SPN-6	6 ways	250	238	85
BDB-H-SPN-8	8 ways	286	238	85
BDB-H-SPN-12	12 ways	358	238	85
BDB-H-SPN-14	14 ways	394	238	85

Overall and installation dimensions





BARFUSES
BATTLE FOR SAFETY



RoHS ISO9001



BDB-H Series 3 Phase Distribution Box (Old Type)

Product Description

The BDB-H distribution boards are available with a fixed load or split load pan assembly. They have a fully flush fitted metal door with a "slam" type catch. All boards are delivered with both Neutral and Earth bars fitted and the neutral is designed to wrap around the incoming device to ensure that extra wiring space is available for the outgoing devices.

The incoming device must be selected and fitted by the installer. The top and bottom gland plates are removable and also include knock-outs to suit standard size conduits. The pan assembly is fully shrouded and the busbars are one piece in design, this ensures that no "hot spots" can occur as there are no mechanical joints. The boards conform to BSEN 60439-1 & 3.

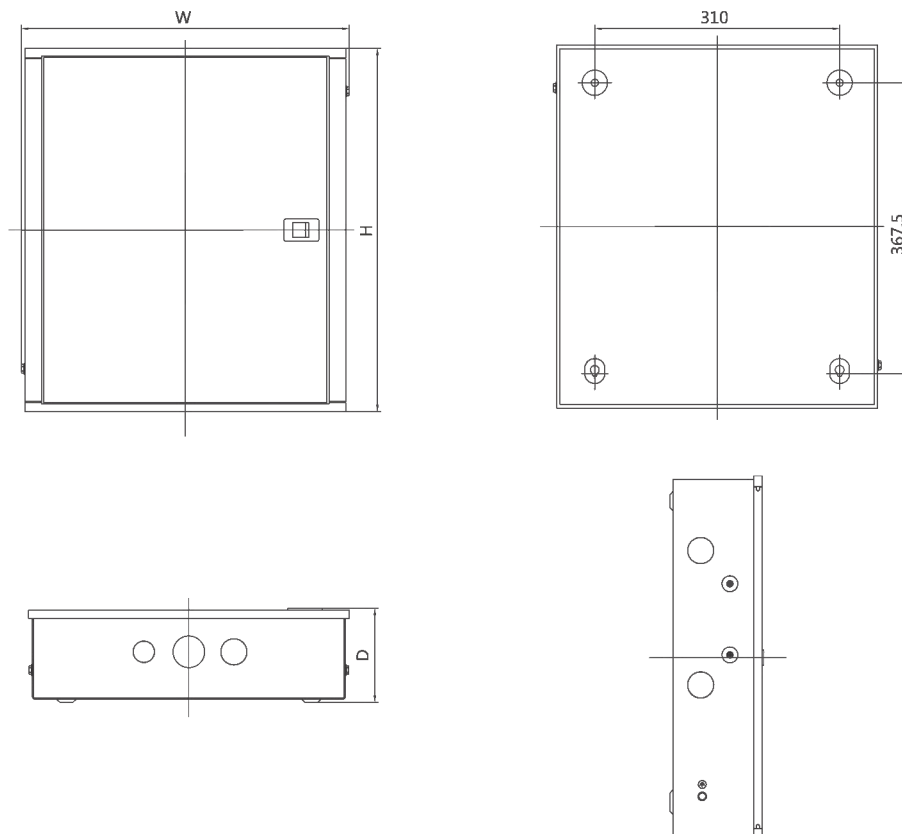
BDB-H Series 3 Phase Distribution Box (Old Type) IP40



Specifications

Model	No.of ways	Dimensions(mm)		
		W	H	D
BDB-H-TPN-4	4 ways	405	451	118
BDB-H-TPN-6	6 ways	405	505	118
BDB-H-TPN-8	8 ways	405	559	118
BDB-H-TPN-12	12 ways	405	677	118

Overall and installation dimensions





BARFUSES
BATTLE FOR SAFETY



RoHS ISO9001



BDB-M Series 1 Phase Distribution Box

Application:

BDB-M series 1 phase distribution box is used in private, commercial and industrial installations, for distribution of power to final sub-circuits, such as lighting circuits and small rated power circuits.

Material

1. Steel sheet and copper fittings inside;
2. Paint finish: Both externally and internally;
3. Protected with epoxy polyester coating;
4. Textured finish RAL7032 or RAL7035.

Lifetime:

More than 20 years;
Our products are accord with IEC 60947-3 standard.

BDB-M Series 1 Phase Distribution Box (IP40)

A

Specifications

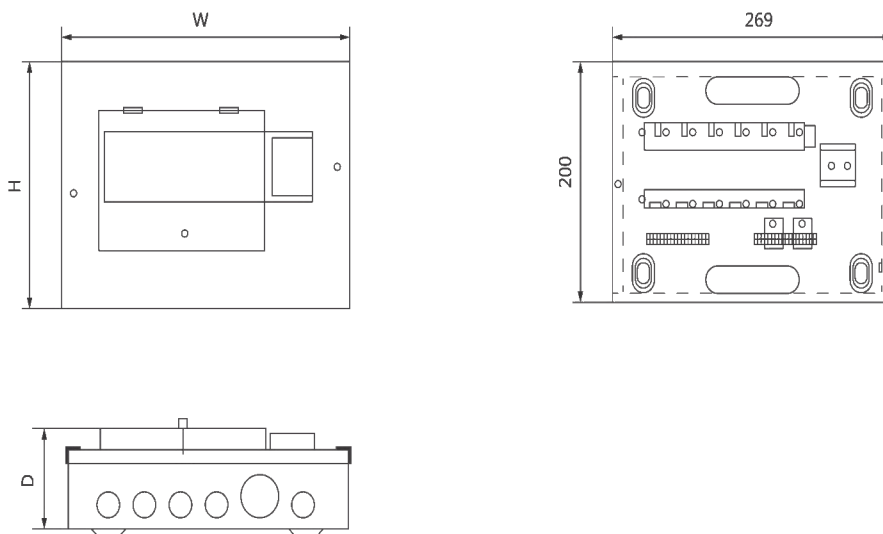
For Surface Mounting

Model	No.of ways	Dimensions(mm)		
		W	H	D
BDB-M-SPN-4-S	4 ways	228	208	95
BDB-M-SPN-6-S	6 ways	278	208	95
BDB-M-SPN-8-S	8 ways	328	208	95
BDB-M-SPN-12-S	12 ways	428	208	95

For Flush Mounting

Model	No.of ways	Dimensions(mm)		
		W	H	D
BDB-M-SPN-4-F	4 ways	241	221	95
BDB-M-SPN-6-F	6 ways	291	221	95
BDB-M-SPN-8-F	8 ways	341	221	95
BDB-M-SPN-12-F	12 ways	441	221	95

Overall and installation dimensions





BARFUSES
BATTLE FOR SAFETY



RoHS ISO9001



BDB-M Series 3 Phase Distribution Box

Application:

BDB-M series 3 phase distribution box is applied to the terminal protection distribution board. the main switch is 100A-3P isolating switch. the branch switch is miniature circuit breaker.

Material

1. Steel sheet and copper fittings inside;
2. Paint finish: Both externally and internally;
3. Protected with epoxy polyester coating;
4. Textured finish RAL7032 or RAL7035.

Lifetime:

More than 20 years;
Our products are accord with IEC 60947-3 standard.

BDB-M Series 3 Phase Distribution Box (IP40)

A

Specifications

For Surface Mounting

Model	No.of ways	Dimensions(mm)		
		W	H	D
BDB-M-TPN-4-S	4 ways	370	475	115
BDB-M-TPN-6-S	6 ways	370	550	115
BDB-M-TPN-8-S	8 ways	370	625	115
BDB-M-TPN-12-S	12 ways	370	775	115

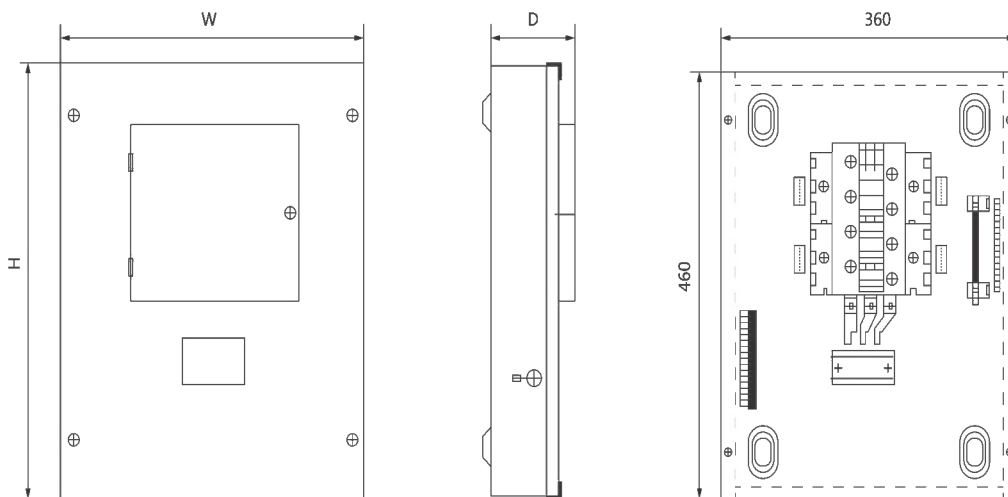
Three phase,Standard Consumer Unit-100Amp main DP Switch/DP RCD

For Flush Mounting

Model	No.of ways	Dimensions(mm)		
		W	H	D
BDB-M-TPN-4-F	4 ways	395	500	115
BDB-M-TPN-6-F	6 ways	395	575	115
BDB-M-TPN-8-F	8 ways	395	650	115
BDB-M-TPN-12-F	12 ways	395	800	115

Three phase,Standard Consumer Unit-100Amp main DP Switch/DP RCD

Overall and installation dimensions





BARFUSES
BATTLE FOR SAFETY



RoHS ISO9001



BDB-T Series 3 Phase Distribution Box

Application:

BDB-T series 3 phase distribution box is designed for safe, reliable distribution and control of electrical power as service entrance equipment in residential, commercial and light industrial installations. They are available in plug in, din rail designs for indoor and outdoor applications and also available with main as MCB, isolator MCCB or MCB.

Material

1. Steel sheet and copper fittings inside;
2. Paint finish: Both externally and internally;
3. Protected with epoxy polyester coating;
4. Textured finish RAL7032 or RAL7035.

Lifetime:

More than 20 years;
Our products are accord with IEC 60947-3 standard.

BDB-T Series 3 Phase Distribution Box (IP40)

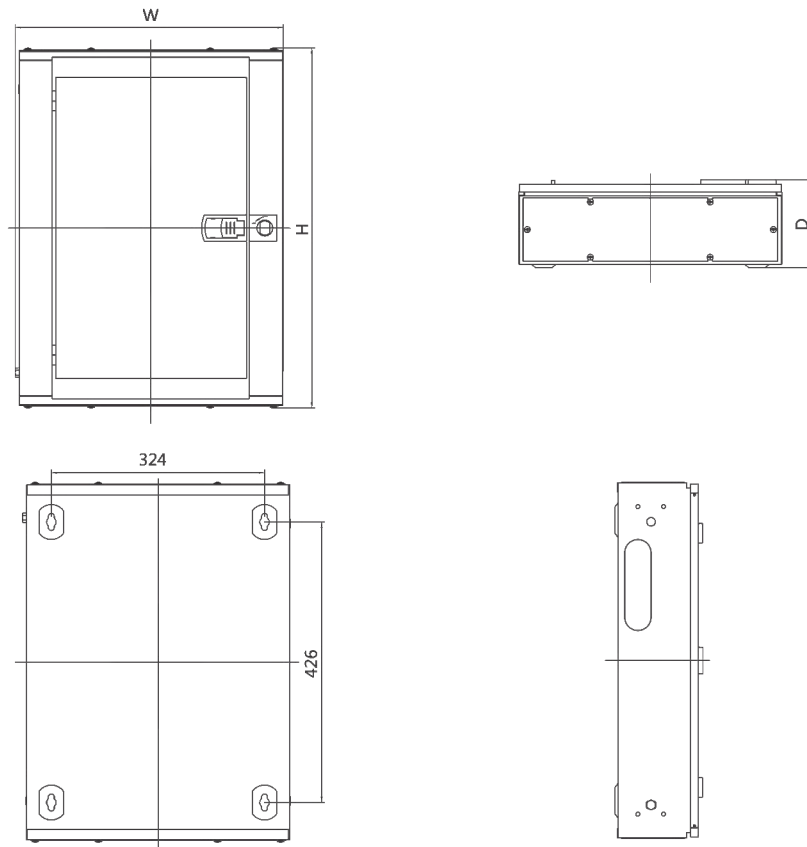
A

Specifications

Model	No.of ways	Dimensions(mm)		
		W	H	D
BDB-T-TPN-4-S	4 ways	400	496	130
BDB-T-TPN-6-S	6 ways	400	550	130
BDB-T-TPN-8-S	8 ways	400	604	130
BDB-T-TPN-12-S	12 ways	400	712	130

Pls list main switch as Isolator or MCCB clearly when send order.

Overall and installation dimensions





BARFUSES
BATTLE FOR SAFETY



RoHS ISO9001



BDB-E Series 1 Phase Distribution Box

Application:

BDB-E Series 1 Phase Distribution Box is designed for safe, reliable distribution and control of electrical power as service entrance equipment in residential, commercial and light industrial installations. They are available in plug in, din rail designs for indoor and outdoor applications and also available with main as MCB, isolator MCCB or MCB.

Material

1. Steel sheet and copper fittings inside;
2. Paint finish: Both externally and internally;
3. Protected with epoxy polyester coating;
4. Textured finish RAL7032 or RAL7035.

Lifetime:

More than 20 years;
Our products are accord with IEC 60947-3 standard.

BDB-E Series 1 Phase Distribution Box (IP40)

Product Summarize

BDB-E series new distribution box which can be individed into flush and surface installation, apply to the circuit of single phase 3 lines or three phase 5 lines of AC50Hz, 220V / 380V, 100A or below, and as one of electric set to control and protect the overload, short circuit, over voltage and leakage of electric equipment. it can be widely used in the family, high building, house, station, port, airport, commercial house, hospital, cinema, enterprises and so on occassions. The installation is very simple and the appreance is good.

Specifications

For Flush Mounting

Model	No.of ways	Dimensions(mm)				
		H	h	W	w	D
BDB -E BS 4	4 ways	273	243	280	250	95
BDB -E BS 6	6 ways	309	279	280	250	95
BDB -E BS 8	8 ways	345	315	280	250	95
BDB -E BS 10	10 ways	381	351	280	250	95
BDB -E BS 12	12 ways	417	387	280	250	95
BDB -E BS 14	14 ways	453	423	280	250	95
BDB -E BS 16	16 ways	489	459	280	250	95

Single-phase With MCB Main Swith,100A Max

For Surface Mounting

Model	No.of ways	Dimensions(mm)				
		H	h	W	w	D
BDB -E BS 4	4 ways	248	243	255	250	95
BDB -E BS 6	6 ways	284	279	255	250	95
BDB -E BS 8	8 ways	320	315	255	250	95
BDB -E BS 10	10 ways	356	351	255	250	95
BDB -E BS 12	12 ways	392	387	255	250	95
BDB -E BS 14	14 ways	428	423	255	250	95
BDB -E BS 16	16 ways	464	459	255	250	95

Single-phase With MCB Main Swith,100A Max

A



BARFUSES
BATTLE FOR SAFETY



RoHS ISO9001



BDB-E Series 3 Phase Distribution Box

Application:

BDB-E Series 3 Phase Distribution Box is designed for safe, reliable distribution and control of electrical power as service entrance equipment in residential, commercial and light industrial installations. They are available in plug in, din rail designs for indoor and outdoor applications and also available with main as MCB, isolator MCCB or MCB.

Material

1. Steel sheet and copper fittings inside;
2. Paint finish: Both externally and internally;
3. Protected with epoxy polyester coating;
4. Textured finish RAL7032 or RAL7035.

Lifetime:

More than 20 years;
Our products are accord with IEC 60947-3 standard.

BDB-E Series 3 Phase Distribution Box (IP40)

A

Specifications

Three-phase with Isolator main Switch, 100A Max

Model	Flush					Surface					No.of ways
	H	h	W	w	D	H	h	W	w	D	
BDB-E BTN4MCCB	582	550	407	375	105	582	550	407	375	105	12 ways
BDB-E BTN6MCCB	637	605	407	375	105	637	605	407	375	105	18 ways
BDB-E BTN8MCCB	692	660	407	375	105	692	660	407	375	105	24 ways
BDB-E BTN10MCCB	747	715	407	375	105	747	715	407	375	105	30 ways
BDB-E BTN12MCCB	802	770	407	375	105	802	770	407	375	105	36 ways
BDB-E BTN14MCCB	857	825	407	375	105	857	825	407	375	105	42 ways

Three-phase with MCCB main Switch, 100A Max

Model	Flush					Surface					No.of ways
	H	h	W	w	D	H	h	W	w	D	
BDB-E BTN41MCCB	582	550	407	375	105	582	550	407	375	105	12 ways
BDB-E BTN61MCCB	637	605	407	375	105	637	605	407	375	105	18 ways
BDB-E BTN81MCCB	692	660	407	375	105	692	660	407	375	105	24 ways
BDB-E BTN101MCCB	747	715	407	375	105	747	715	407	375	105	30 ways
BDB-E BTN121MCCB	802	770	407	375	105	802	770	407	375	105	36 ways
BDB-E BTN141MCCB	857	825	407	375	105	857	825	407	375	105	42 ways

Three-phase with MCCB main Switch, 250A Max

Model	Flush					Surface					No.of ways
	H	h	W	w	D	H	h	W	w	D	
BDB-E BTN42MCCB	692	660	407	375	105	692	660	407	375	105	12 ways
BDB-E BTN62MCCB	747	715	407	375	105	747	715	407	375	105	18 ways
BDB-E BTN82MCCB	802	770	407	375	105	802	770	407	375	105	24 ways
BDB-E BTN102MCCB	857	825	407	375	105	857	825	407	375	105	30 ways
BDB-E BTN122MCCB	912	880	407	375	105	912	880	407	375	105	36 ways
BDB-E BTN142MCCB	967	935	407	375	105	967	935	407	375	105	42 ways



BARFUSES
BATTLE FOR SAFETY



RoHS ISO9001



BDB-C Series 1 Phase Distribution Box

Application:

BDB-C series 1 phase distribution box is applied to the terminal protection distribution board. The distribution box is made of high quality galvanized steel sheet of up to 0.6-1.2mm thickness.

Material

1. Steel sheet and copper fittings inside;
2. Paint finish: Both externally and internally;
3. Protected with epoxy polyester coating;
4. Textured finish RAL7032 or RAL7035.

Lifetime:

More than 20 years;
Our products are accord with IEC 60947-3 standard.

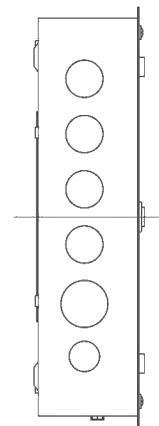
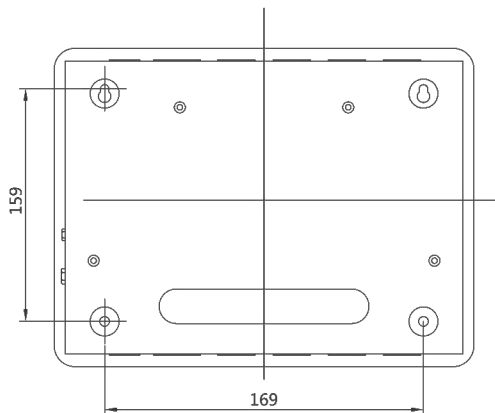
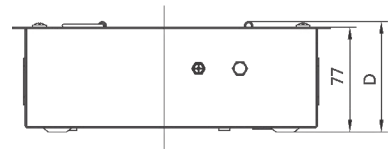
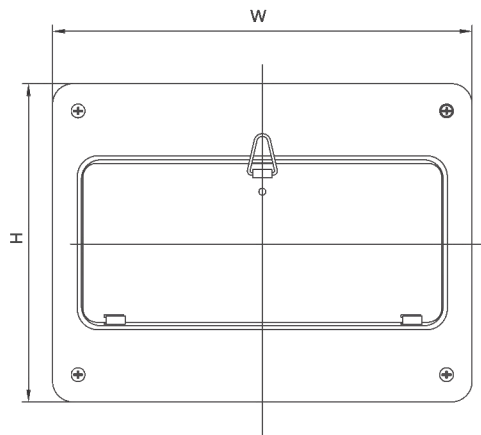
BDB-C Series 1 Phase Distribution Box (IP40)

A

Specifications

Surface type model	Flush type model	No.of ways
BDB -C-SPN-4-S	BDB -C-SPN-4-F	4 ways
BDB -C-SPN-6-S	BDB -C-SPN-6-F	6 ways
BDB -C-SPN-9-S	BDB -C-SPN-9-F	9 ways
BDB -C-SPN-12-S	BDB -C-SPN-12-F	12 ways

Overall and installation dimensions



BDB-G Series Distribution Box (IP40)

A

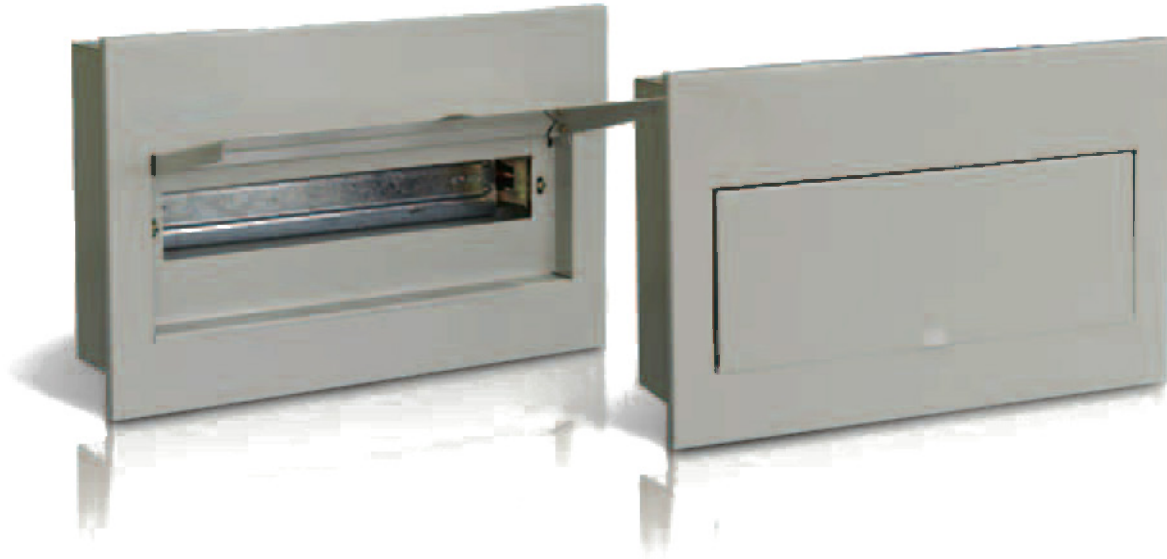


Specifications

Model	No.of ways	No.of rows	Dimensions(mm)		
			W	H	D
13 mod					
BDB-G-13 S	13 ways	1 row	355	275	110
BDB-G-26 S	26 ways	2 rows	355	380	110
BDB-G-39 S	39 ways	3 rows	355	530	110
BDB-G-52 S	52 ways	4 rows	355	680	110
BDB-G-65 S	65 ways	5 rows	355	830	110
18 mod					
BDB-G-18 S	18 ways	1 row	475	275	110
BDB-G-36 S	36 ways	2 rows	475	380	110
BDB-G-54 S	54 ways	3 rows	475	530	110
BDB-G-72 S	72 ways	4 rows	475	680	110
BDB-G-90 S	90 ways	5 rows	475	830	110

BDB-AB Series Distribution Box (IP40)

A



Specifications

Model	Size of surface type(mm)			Size of flush type(mm)		
	W	H	D	W	H	D
AB- 8 ways	248	250	85	218	220	85
AB- 10 ways	284	250	85	254	220	85
AB- 12 ways	320	250	85	290	220	85
AB- 15 ways	372	250	85	342	220	85
AB- 16 ways	390	250	85	360	220	85
AB- 18 ways	426	250	85	396	220	85
AB- 20 ways	465	250	85	435	220	85
AB- 24 ways	320	440	85	290	410	85
AB- 32 ways	390	440	85	360	410	85
AB- 36 ways	426	440	85	396	410	85
AB- 40 ways	465	440	85	435	410	85
AB- 48 ways	390	620	85	360	590	85
AB- 60 ways	465	620	85	435	590	85

BDB-D Series Distribution Box (IP40)

A



Product Summarize

BDB-D series new distribution box which can be invidied into flush and surface installation, apply to the circuit of single phase 3 lines or three phase 5 lines of AC50Hz, 220V/380V, 100A or below, and as one of electric set to control and protect the overload, short circuit, over voltage and leakage of electric equipment. it can be widely used in the family, high building, house, station, port, airport, commercial house, hospital, cinema, enterprises and so on occasions. The installation is very simple and the apparence is good.

Specifications

Model	Size of surface type(mm)			Size of flush type(mm)		
	W	H	D	W	H	D
BDB-D 8 ways	250	250	85	230	230	85
BDB-D 12 ways	320	250	85	303	230	85
BDB-D 16 ways	390	250	85	375	230	85
BDB-D 20 ways	460	250	85	447	230	85